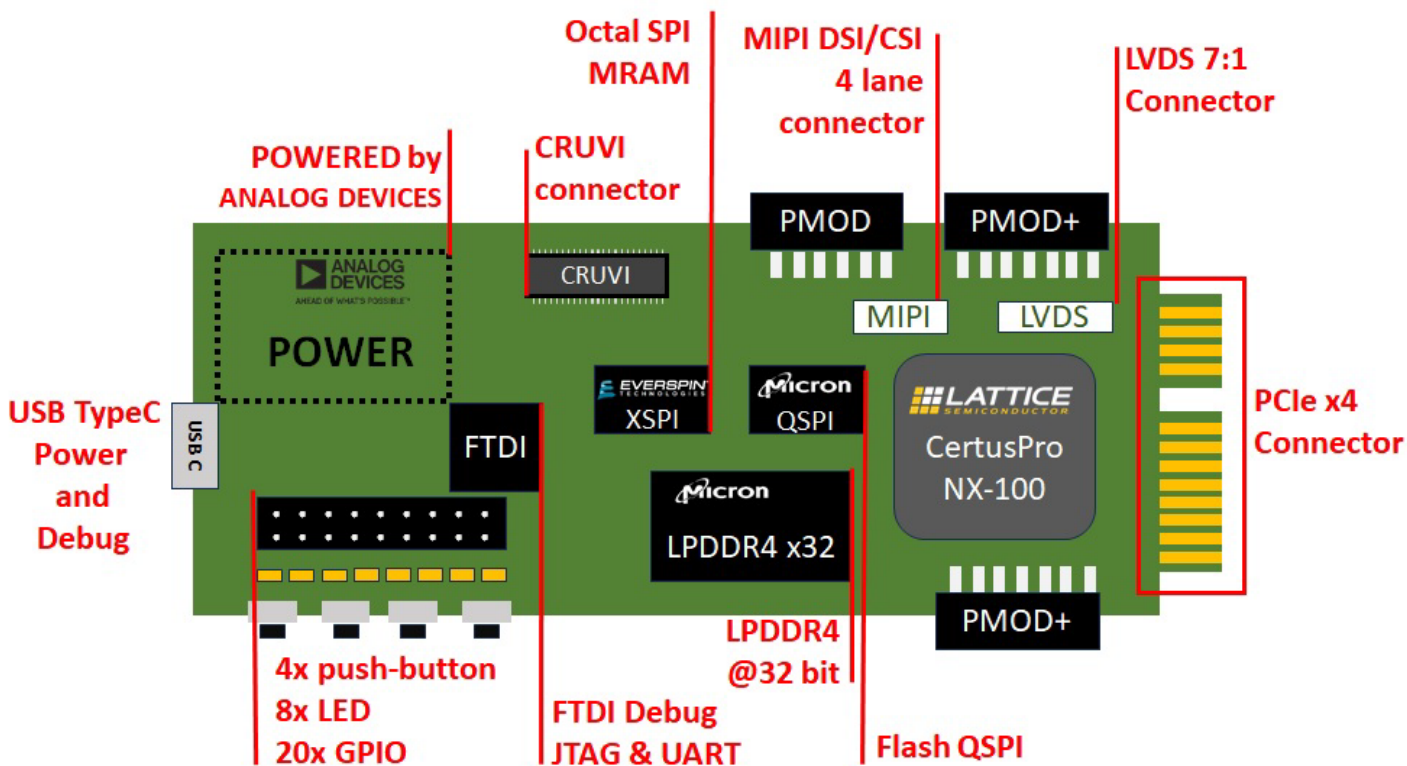


- ❖ Lattice CERTUS PRO NX 100
- ❖ On Board programming
- ❖ LVDS and MIPI/DSIx4 connectors
- ❖ PMOD+ connectors
- ❖ PCIE x 4 interface
- ❖ 32 BIT LPDDR4 RAM
- ❖ OCTAL SPI Up to 200MHz single and double transfer rate

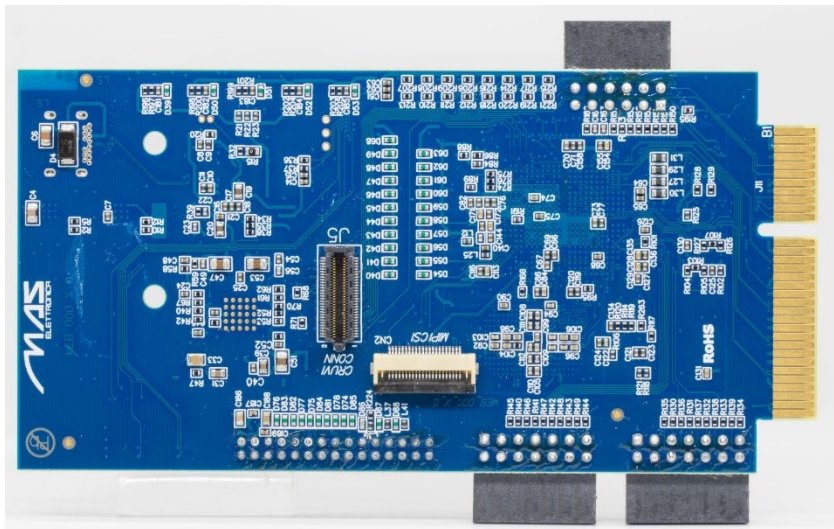
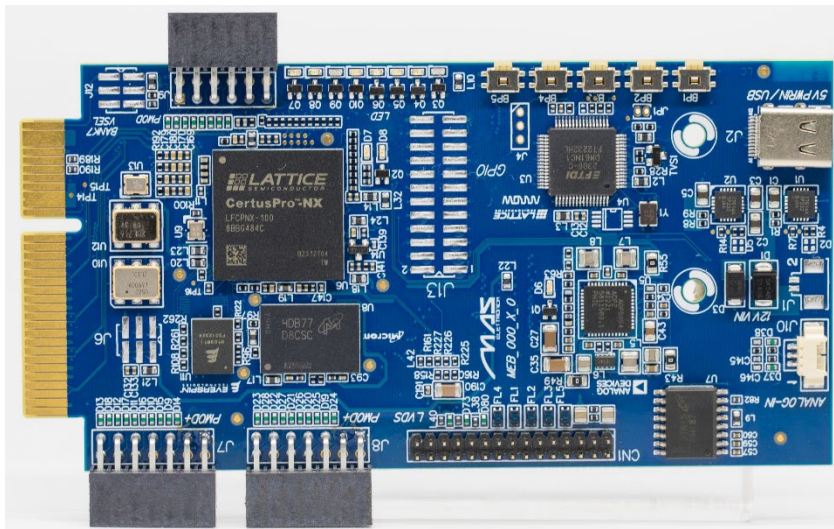
## BLOCK DIAGRAM



## FEATURES OF THE EVALUATION BOARD

FPGA LATTICE	Crosslink NX LIFCL-17 QFN-72
<b>Video</b>	1x Soft MIPI CSI/DSI 1 TO 4X UP TO 4K 30fps Through Ziff Connector 1 x LVDS/FDPLink 4x up to 4K 30fps Through strip connector
USB	USBC for board Power and programming.
JTAG	JTAG for for programming
LED	8 x led for general purpose use
Button	4 x Push Buttons for general purpose use
PMOD Connectors	2 x PMOD+ 3,3V connector or in multi-mode for standard accessories (VGA, HyperRam, HDMI). 1 x PMOD 3,3V connector
Flash QSPI	ON Board 512Mbit QSPI FLASH for bit stream or general purpose use
Octal SPI	Everspin Octal SPI Octal, Quad, Dual and Single SPI protocol Up to 200MHz single and double transfer rate (STR/DTR) for Octal SPI
LPDDR4	512M x 32 bit LPDDR4 interface
CRUVI	60 pin 3V3 Cruvi connector for expansion Boards.
GPIO	20 x 3V3 GPIO (24 pin strip p=2,54mm)
ADC	2x analog input range 0-1,2V single ended.
POWER	5V single supply using the USBC connector 12V Using auxiliary or PCIe connections
Dimentions	162mm x 98mm





## ORDERING

ORDERING CODE	DESCRIPTION	Comments
EDB_000_0_1	Full feature board	Standard product
EDB_000_1_1	Board without connectors	Available upon request

